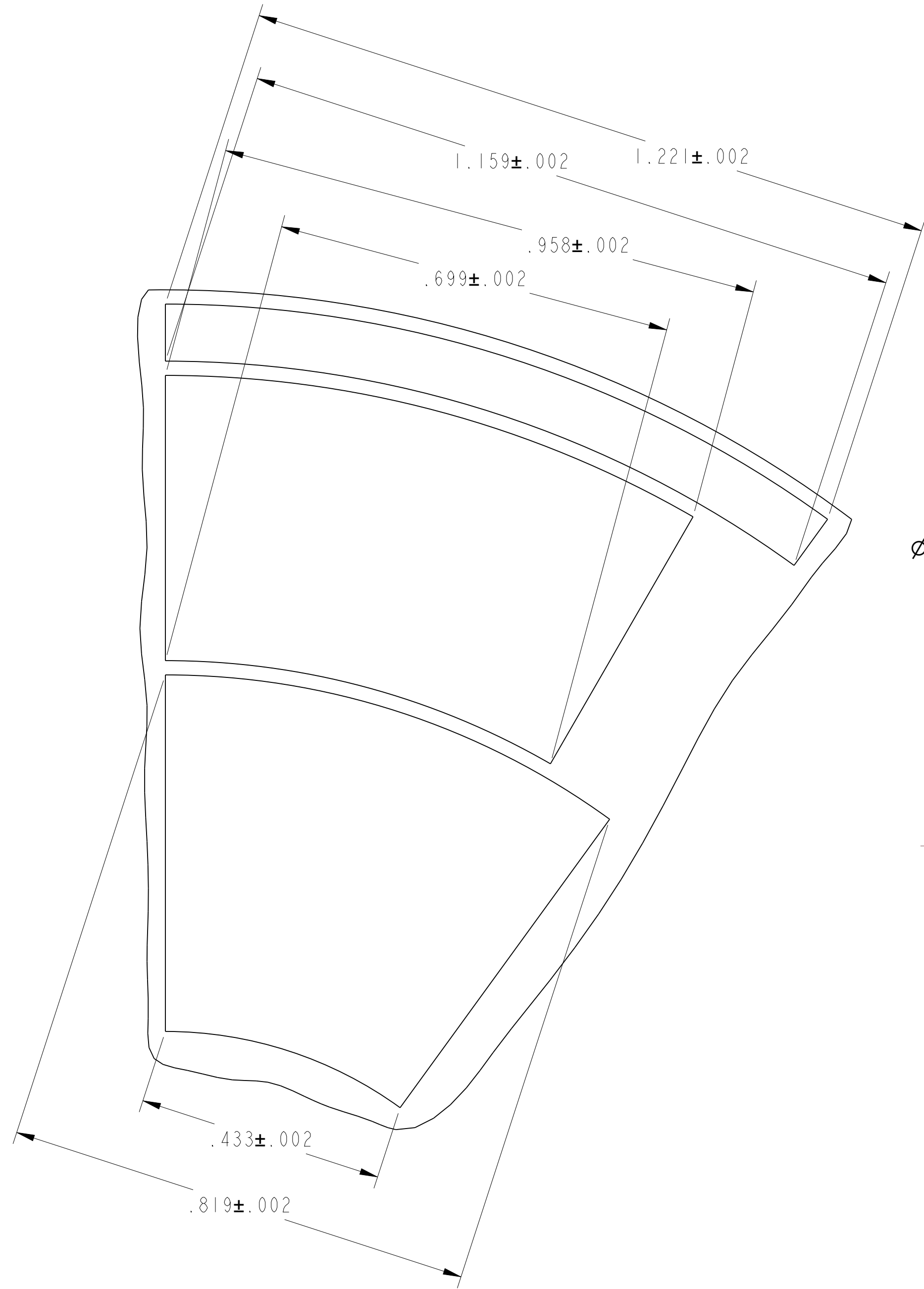
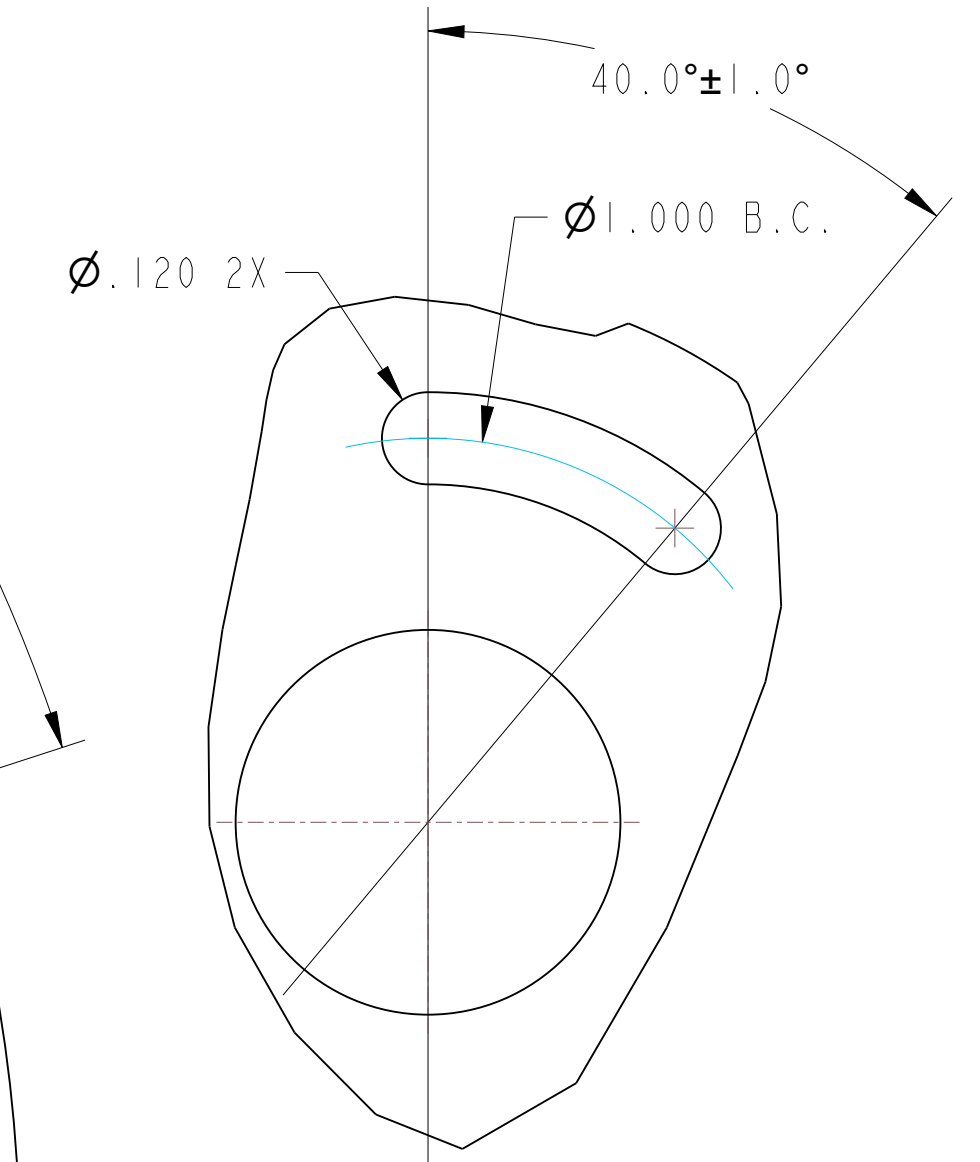
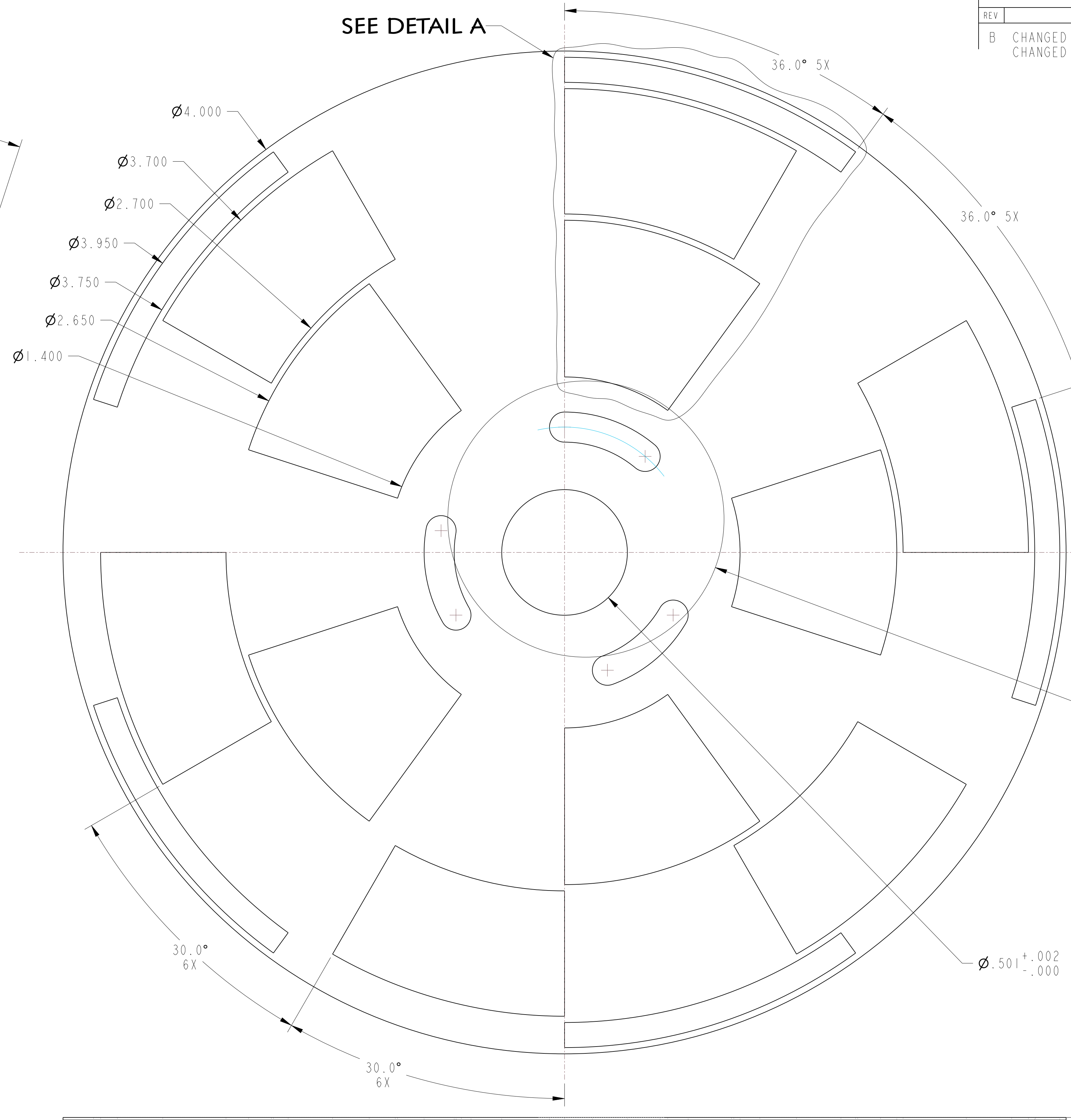


REVISIONS			
REV	DESCRIPTION	DATE	APPROVED
B	CHANGED INSIDE HOLE DIAMETER CHANGED TOLERANCE.	4/25/22	GAW



DETAIL A
SCALE 6.000
DIMENSIONS ARE TYPICAL



DETAIL B
SCALE 4.000
3 EQUAL SPACES

SEE DETAIL B

NOTES: UNLESS OTHERWISE SPECIFIED

- 1 MATERIAL: STAINLES STEEL COIL 302/304 HALF HARD.
.010 THICK.
- 2 FINISH: BLACK OXIDE.
3. REMOVE ALL BURRS AND SHARP EDGES.
4. PART MARKING: BAG AND TAG WITH VENDOR ID,
MONTH/YEAR OF MANUFACTURE PART NUMBER AND
CURRENT REVISION LEVEL.

.010

MATERIAL	UNLESS OTHERWISE SPECIFIED, DIMENSIONS ARE IN INCHES.	SRS STANFORD RESEARCH SYSTEMS, INC. 1290-D Reamwood Avenue, Sunnyvale CA 94089	
FINISH	TOLERANCES: .X ± .XX ± .XXX ± .005 ANGLE ±	DRAWING TITLE: CHOPPER BLADE, 5-6 SLOT ENCODER DISC, SR542	
ENG BY/DATE A BERGER	SIZE/PROVE FILENAME: D	SRS PART NO. 7-02829-716	REV B
DWN BY/DATE G.WATERS	SCALE: 4.00	SHEET: 1 OF 1	

NEXT ASSY	USED ON	DO NOT SCALE DRAWING
-----------	---------	----------------------

Jun-04-20